

BEST PRACTICES

- RevealShield SA Self-Adhered building layout should be planned prior to application to minimize waste, this process will assist locating penetrations that will need to be correctly detailed to ensure a weather and air tight installation.
- RevealShield SA Self-Adhered can be installed in a vertical or horizontal direction.
- Always install in a “weatherboard or shingle fashion” with the lower courses lapped under the upper courses.
- All penetrations including windows and doors must be installed in proper sequence to ensure a “weatherboard or shingle fashion” end result.
- When a seam is required within 24” of an inside and outside vertical corners, an overlap should be minimum 6”.
- Inside and outside vertical corners should be minimum 6” of overlap.
- Vertical seams should be staggered from floor to floor, or separated by a RevealShield SA Self-Adhered horizontally applied strip.
- Use a roller (Figure 1) to ensure adhesion at seams (overlaps).
- Sustains six (6) months (180) days UV and climate exposure prior to cladding installation.

SUBSTRATE INFORMATION

- The substrate condition is crucial to the adhesion performance of any adhesive membrane.
- Substrates must be clean and free of any contaminants.
- Substrate surface must be dry to the touch with the ambient temperature above 20°F.
- RevealShield SA Self-Adhered can be applied to a wide variety of sheathing substrates:
GlasRoc • DensGlass Gold • Most rigid insulation • Pre-painted steel
Precast concrete • Concrete block • Plywood • Aluminum (painted or mill finish)
Cast-in-place concrete • Galvanized metal • Rigid vinyl • Steel • Anodized aluminum
- OSB is not an approved substrate for RevealShield SA Self-Adhered, use RevealShield IT Integrated Tape. If you have questions regarding substrates contact VaproShield Technical Team, 866-731-7663 opt. 5, or technical@vaproshield.com.
- **PRIMER IS NOT REQUIRED OR RECOMMENDED.**



Figure 1

INSTALLATION PRACTICES

During the installation process, RevealShield SA Self-Adhered must be protected at the leading edge to ensure liquid water does not travel behind the membrane.

FOR OPEN JOINT CLADDING SYSTEMS

- Maximum open joint size between cladding components is up to 2” horizontal and ½” vertical open joints.
- Maximum 40% total open wall area

ADHESIVE CURING TIME

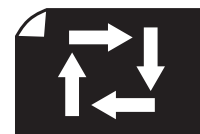
- Normal curing time is approx. 6 hours.
- Full adhesion will vary depending on job site weather conditions.

FLOOR LINE MOVEMENT

- Buildings are designed to accommodate thermal and seismic movement.
- RevealShield SA Self-Adhered must be installed to allow this movement throughout the life of the structure.
- To accommodate floor-line movement in wood frame construction: Limit coverage area to a single floor and shingle subsequent layers over the top leading edge.

RevealShield SA Self-Adhered IS NON-DIRECTIONAL

- Install pieces vertically or horizontally.
- Ensure “weatherboard manner” by installing pieces over the top of the pieces below.
- Pieces are easily cut to size.



PENETRATIONS

- Please refer to www.VaproShield.com/details for method and sequencing.
- Always ensure weatherboard result is achieved.

ORIGINAL PACKAGING FUNCTIONS AS DISPENSER

- Keep RevealShield SA Self-Adhered in original packaging
- Carefully lift one end of the product out of the box and slide the plastic wrap off
- Replace the roll in the box/dispenser and carefully remove the tape in the middle of the roll.
- Keep plastic roll cover to protect partial rolls during installation.

KEEP PACKAGING

MANAGEABLE LENGTHS

- Pre-cut material into individual manageable lengths for installation by pulling material off the main roll to the desired length.
- Cut material square to the factory edges.
- Re-roll material same direction it came off the roll, with the release paper outward.
- Cut material to desired length with extended blade razor knife.
Tip: pre-cut material for desired lengths for rough openings. Label as needed on release film with marker.

SINGLE WORKER VS. TWO WORKER INSTALLATION

- Using the material at its full width, 59", vertical installation can be easily accomplished by a single worker.
 - Horizontal installation of the full width material is best accomplished by two workers.
 - Partial width rolls are easily installed by a single worker.
- * [Please see the sketches of installation methods and view the videos on our website for further clarification.](#)

VERTICAL AND HORIZONTAL INSTALLATION - (view video at www.VaproShield/installation.com)

Horizontal installation of the RevealShield SA Self-Adhered material is similar to the vertical installation method. The material can be applied either left to right, or right to left (28 1/2" rolls recommended max. for horizontal installation, available by special order).

BEST PRACTICE INSTALLATION SEQUENCE

1. Snap a level chalk line for guidance
2. Pre-cut material to desired length
3. Roll material with release paper facing OUTWARD
4. Starting at a corner of the roll, peel back approx. 6" of release paper
5. Cut the release paper with razor knife and tear the cut portion of the release paper exposing approx. 6" of glued surface
6. Using hand pressure, lightly apply the exposed glue surface to the substrate
7. Starting in the middle, use your hands to smooth out air bubbles, releasing the air to each side
8. APPLIES ONLY TO VERTICAL INSTALLATION - Allow the rolled up material to drop down the wall, with the remainder of the release paper still attached, checking for proper alignment
9. Reposition as needed - the material is very forgiving allowing for easy re-alignment
10. When aligned, apply heavy hand pressure across the entire adhered section
11. Roll up the material with release paper facing OUTWARD
12. Slowly pull the release paper down the wall, allowing the rolled up material to unfurl
13. Lightly smooth out air bubbles with wallpaper trowel
14. Continue until all the release paper has been removed
15. Pull back and reposition material (if necessary) as it unfurls
16. Apply heavy pressure to the entire substrate to ensure full adhesion (use a roller for best results) Figure 1
17. Proceed with next step, ensuring a 3" minimum overlap to the adjoining material, always in a weatherboard manner

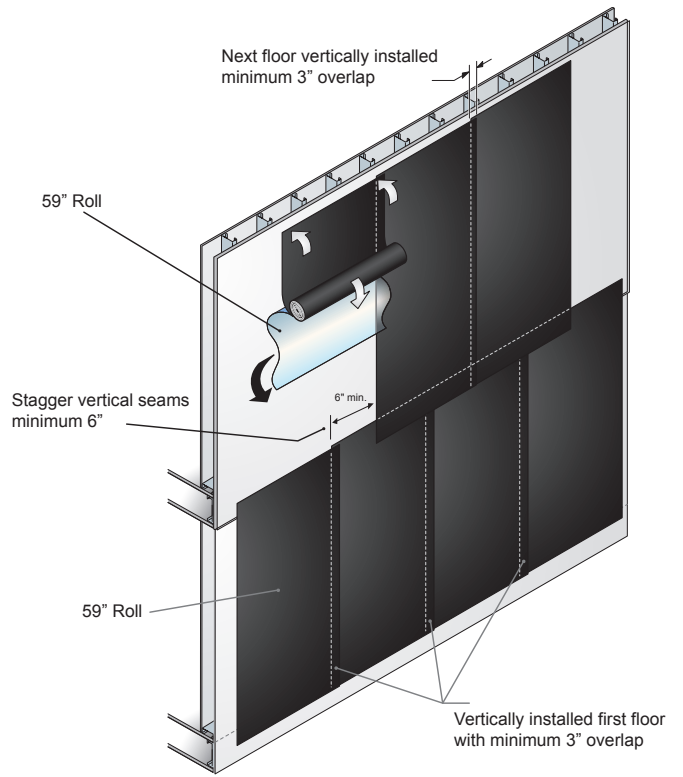
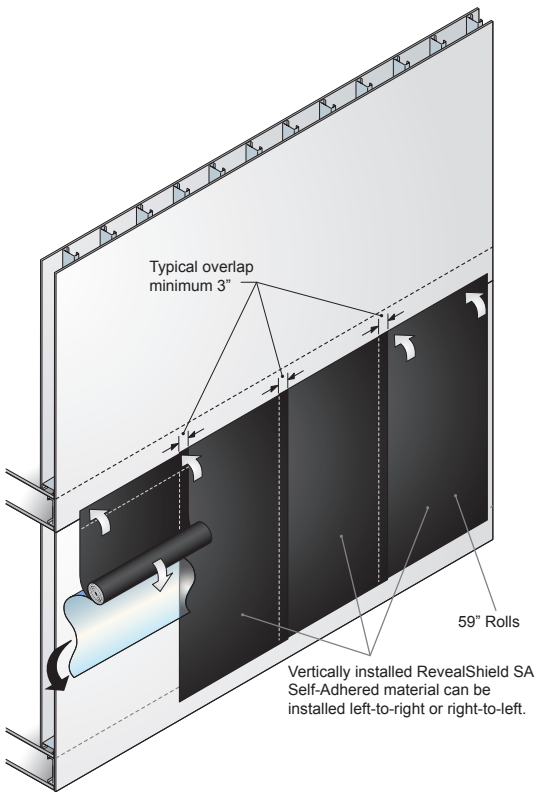
INSTALLATION BEST PRACTICES

- Avoid scoring the membrane at locations where the material overlaps onto the adjacent piece.
- Allow the top layer of material to span across the underlying layer without attempting to force the material into a 90° bend.
- Avoid stretching the material during installation at inside and outside corners.
- A full 6" overlap in either direction is recommended vertically at inside and outside corners.

STORAGE

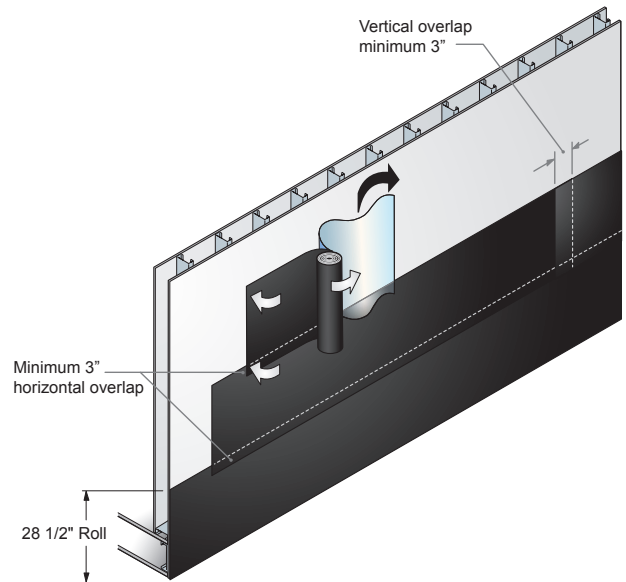
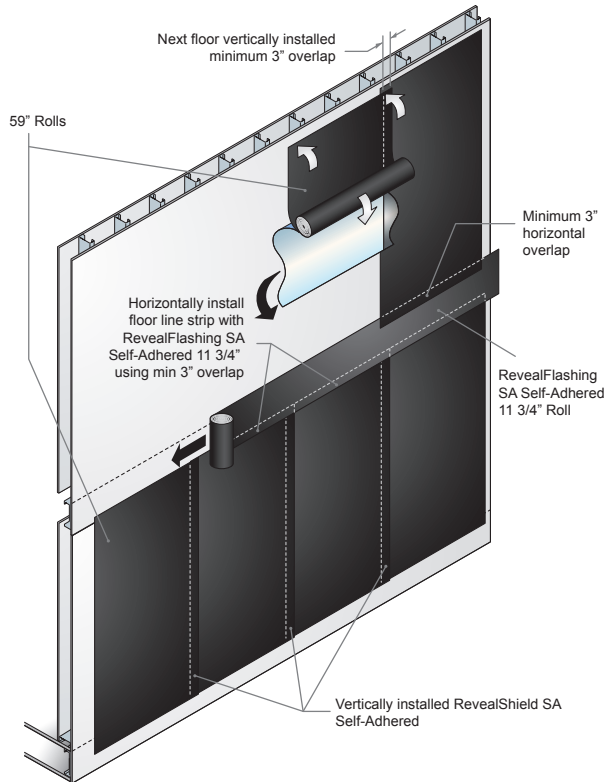
- Must be stored vertically
- Must be kept dry
- Must be stored in temperatures between 40° F and 120° F (4°C - 49°C)

★ THIS IS NOT A SEQUENCE OF INSTALLATION STEPS. EACH IS A SEPARATE SITUATION.



VERTICAL INSTALLATION

MULTI FLOOR VERTICAL OVERLAP



**VERTICAL INSTALLATION
HORIZONTAL FLOOR LINE**

HORIZONTAL INSTALLATION

VaproShield LLC 20-Year Product Warranty

Job #:
Purchase Date:
Installation Date:

Owner Name:
Address:
City/State/Zip:

Project Name:
Address:
City/State/Zip:

Installer Name
Address:
City/State/Zip:

PRODUCT:

Date Issued:

LIMITED PRODUCT WARRANTY AND DISCLAIMER*:

A) PRODUCTS TO WHICH WARRANTY APPLIES:

- 1). WALLSHIELD®
- 2). WRAPSHIELD®
- 3). WRAPSHIELD SA® SELF-ADHERED
- 4). WRAPSHIELD RS™
- 5). REVEALSHIELD™
- 6). REVEALSHIELD SA™ SELF-ADHERED
- 7). SLOPESHIELD®
- 8). SLOPESHIELD SA® SELF-ADHERED
- 9). VAPROFLASHING™
- 10). VAPROFLASHING SA™
- 11). RevealFlashing™
- 12). RevealFlashing SA™ SELF-ADHERED
- 13). FACTORY FORMED CORNERS™

B) LIMITED WARRANTY:

The WallShield, WrapShield, WrapShield SA, WrapShield RS, RevealShield, RevealShield SA, SlopeShield and SlopeShield SA products are suited for their intended use as an underlayment, weather resistive barrier, or as an air barrier. VaproShield will warrant its products for a period of twenty (20) years from the date of purchase. VaproShield will replace any faulty product, provided the product used is installed per the published installation instructions and details. VaproShield installation instructions are provided with the products and/or are available at www.vaproshield.com, or by calling VaproShield toll free at 1-866-731-7663.

This warranty is transferable upon sale of the project, but in no event does it extend beyond 20 years from the date of original purchase of the product. Any and all claims must be made in writing within 20 business days after the owner discovers or obtains knowledge of any defect in the product(s). VaproShield must be given reasonable opportunity to inspect the

allegedly defective product and all damage prior to alteration or removal of the product or any surrounding building components.

All claims must be made in accordance with the claims and inspection procedure noted herein.

This warranty shall not apply to, and VaproShield shall not be liable for, any damages arising in whole or in part from any one or more of the following:

- 1) WallShield, WrapShield, WrapShield SA, WrapShield RS, RevealShield, RevealShield SA, SlopeShield and SlopeShield SA that is not stored or installed in accordance with VaproShield's installation instructions in effect at the time of the installation.
- 2) Improper building practices or design not in accordance with the applicable building code or industry standards, or any deviation from approved construction plans or specifications.
- 3) Damage to WallShield, WrapShield, WrapShield SA, WrapShield RS, RevealShield, RevealShield SA, SlopeShield and SlopeShield SA resulting from causes other than normal weather conditions, including impact of falling objects, "Acts of God," earthquakes, hurricanes, flood, fire, hailstorms, high winds, cascading roof/floor water, ponding water, immersion in water, or improper installation of any building component.
- 4) Defects in the structure or a component of the structure (e.g., window, door, or wall system), premature deterioration of the building

materials, or non-standard use of the VaproShield products.

5). Contamination of membrane with building site chemicals including, but not limited to, surfactants or substances that adversely affects its water resistance.

OPEN JOINT APPLICATIONS:

VaproShield will warrant material for any open jointed cladding systems when VaproShield's Best Practices, details, and installation instructions (in effect at the time of the installation) are followed.

C) DISCLAIMER:

This warranty is limited to product replacement. This warranty is the sole warranty and is being provided in lieu of any other warranties, whether express or implied. Neither VaproShield LLC nor any of its affiliated companies, including product manufacturers, suppliers, representatives or distributors shall be liable for labor costs, consequential damages (such as personal injuries or damage to property) of any kind, loss of profits, loss of use, or any other damage or injury, whether known or unknown, that is caused or alleged to have been caused in whole or in part by any VaproShield product.

This Warranty is not valid unless and until Vaproshield product has been paid for in full.